

**Tapered Hood**

• Available in wood and paint grade door styles only.

- Tapered wood hood available in two styles: plain and shiplap.
- Hood front is not removable.

• Vent-a-Hood® blower units are separate SKUs and can be referenced at the end of Section 300. Corresponding blower size information is listed by SKUs in charts.

• Metal trim kits available; see illustrations. Brushed stainless steel cut to fit exposed edges under wood hood; available factory installed or as kit for field installation, see SKUs in charts.

EXAMPLE: 21TAPHOOD3630, IMTS specifies a 21" deep, 30" high hood with factory installed metal trim kit. Specify 21TAPHOOD36MT for field install metal trim kit.

- A portion of the inside of the hood will be finished.
- Modifications not available.

**Plain**

• Available in the following species/material: Cherry, Maple, Paint Grade, Rift-Cut White Oak and Walnut.

• Transitions of hoods have vertical grain direction; mantels have horizontal grain direction.

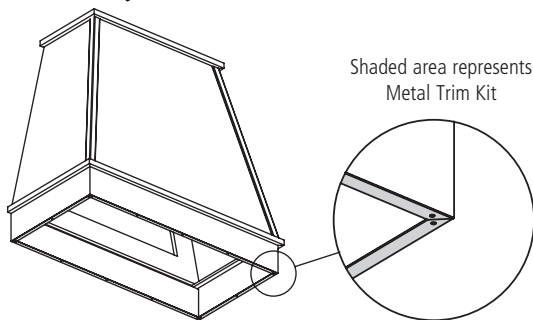
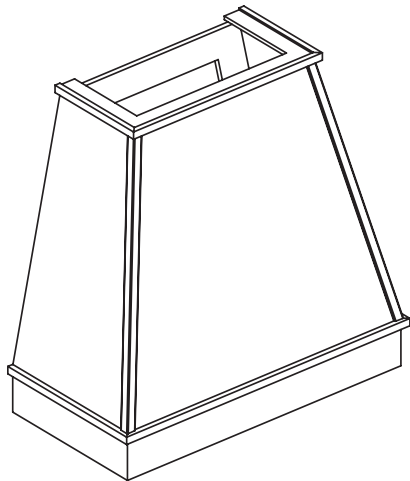
**21" Deep**

24" High	30" High	36" High	42" High	Vent-A-Hood® Blower*	METAL TRIM KIT Factory Install	METAL TRIM KIT Field Install
■ 21TAPHOOD3024	■ 21TAPHOOD3030	■ 21TAPHOOD3036	■ 21TAPHOOD3042	V1	IMTS	21TAPHOOD30MT
■ 21TAPHOOD3624	■ 21TAPHOOD3630	■ 21TAPHOOD3636	■ 21TAPHOOD3642	V2	IMTS	21TAPHOOD36MT
■ 21TAPHOOD4224	■ 21TAPHOOD4230	■ 21TAPHOOD4236	■ 21TAPHOOD4242	V3	IMTL	21TAPHOOD42MT
■ 21TAPHOOD4824	■ 21TAPHOOD4830	■ 21TAPHOOD4836	■ 21TAPHOOD4842	V16	IMTL	21TAPHOOD48MT

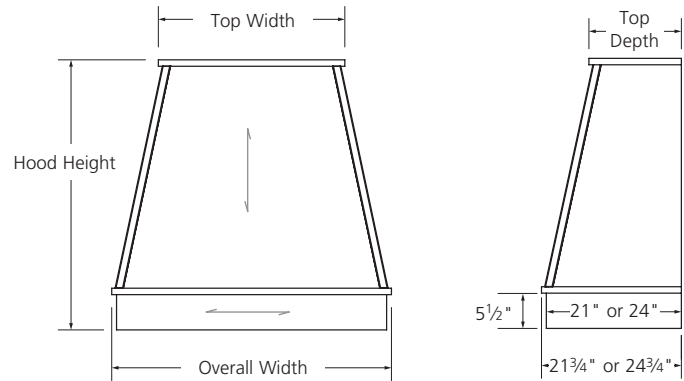
**24" Deep**

24" High	30" High	36" High	42" High	Vent-A-Hood® Blower*	METAL TRIM KIT Factory Install	METAL TRIM KIT Field Install
■ 24TAPHOOD3024	■ 24TAPHOOD3030	■ 24TAPHOOD3036	■ 24TAPHOOD3042	V4, V6	IMTS	24TAPHOOD30MT
■ 24TAPHOOD3624	■ 24TAPHOOD3630	■ 24TAPHOOD3636	■ 24TAPHOOD3642	V5, V7	IMTS	24TAPHOOD36MT
■ 24TAPHOOD4224	■ 24TAPHOOD4230	■ 24TAPHOOD4236	■ 24TAPHOOD4242	V8, V17	IMTL	24TAPHOOD42MT
■ 24TAPHOOD4824	■ 24TAPHOOD4830	■ 24TAPHOOD4836	■ 24TAPHOOD4842	V9, V11	IMTL	24TAPHOOD48MT

\*Applies to V and V\_GS codes (stainless steel or powder coated Vent-A-Hoods®).



Shaded area represents Metal Trim Kit



Hood/SKU Width	Top Width	Overall Width
30"	16 <sup>13</sup> / <sub>16</sub> "	31 <sup>1</sup> / <sub>2</sub> "
36"	22 <sup>13</sup> / <sub>16</sub> "	37 <sup>1</sup> / <sub>2</sub> "
42"	28 <sup>13</sup> / <sub>16</sub> "	43 <sup>1</sup> / <sub>2</sub> "
48"	34 <sup>13</sup> / <sub>16</sub> "	49 <sup>1</sup> / <sub>2</sub> "

Hood Height	21" Deep Hood – Top Depth	24" Deep Hood – Top Depth
24"	14 <sup>3</sup> / <sub>8</sub> "	17 <sup>3</sup> / <sub>8</sub> "
30"	14"	17"
36"	14 <sup>1</sup> / <sub>8</sub> "	17 <sup>1</sup> / <sub>8</sub> "
42"	14 <sup>1</sup> / <sub>4</sub> "	17 <sup>1</sup> / <sub>4</sub> "

WALL CABINETS 300

### Tapered Hood

• See previous page for details.

### Shiplap

- Shiplap panels are on transition only, not mantel.
- Transitions and mantels have horizontal grain direction.
- **Available in the following species/material: Cherry, Maple and Paint Grade; not available in Rift-Cut White Oak or Walnut.**
- Orders in maple and paint grade door styles in paint finishes will be constructed from MDF shiplap and painted to match order selection.

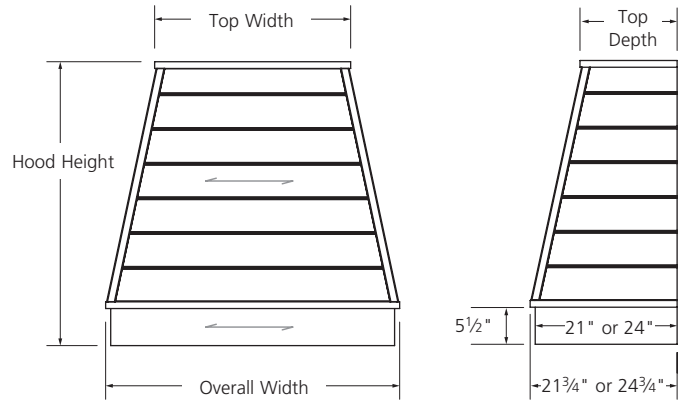
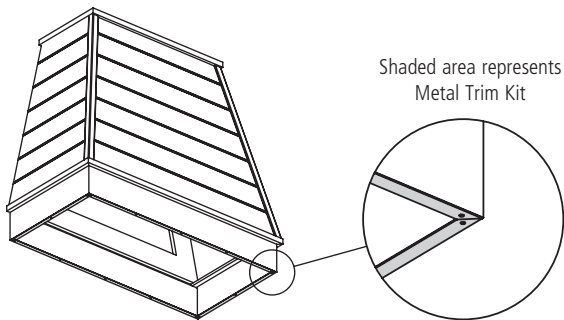
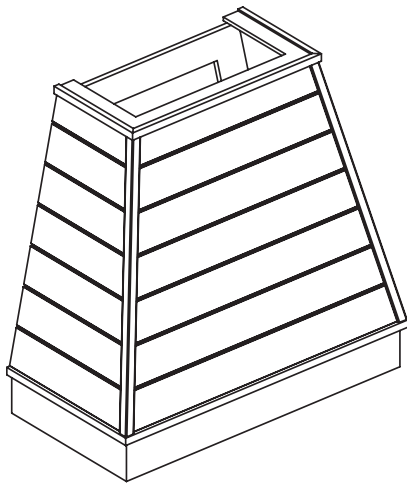
### 21" Deep

24" High	30" High	36" High	42" High	Vent-A-Hood® Blower*	METAL TRIM KIT Factory Install	METAL TRIM KIT Field Install
■ 21TAPHOODSL3024	■ 21TAPHOODSL3030	■ 21TAPHOODSL3036	■ 21TAPHOODSL3042	V1	IMTS	21TAPHOOD30MT
■ 21TAPHOODSL3624	■ 21TAPHOODSL3630	■ 21TAPHOODSL3636	■ 21TAPHOODSL3642	V2	IMTS	21TAPHOOD36MT
■ 21TAPHOODSL4224	■ 21TAPHOODSL4230	■ 21TAPHOODSL4236	■ 21TAPHOODSL4242	V3	IMTL	21TAPHOOD42MT
■ 21TAPHOODSL4824	■ 21TAPHOODSL4830	■ 21TAPHOODSL4836	■ 21TAPHOODSL4842	V16	IMTL	21TAPHOOD48MT

### 24" Deep

24" High	30" High	36" High	42" High	Vent-A-Hood® Blower*	METAL TRIM KIT Factory Install	METAL TRIM KIT Field Install
■ 24TAPHOODSL3024	■ 24TAPHOODSL3030	■ 24TAPHOODSL3036	■ 24TAPHOODSL3042	V4, V6	IMTS	24TAPHOOD30MT
■ 24TAPHOODSL3624	■ 24TAPHOODSL3630	■ 24TAPHOODSL3636	■ 24TAPHOODSL3642	V5, V7	IMTS	24TAPHOOD36MT
■ 24TAPHOODSL4224	■ 24TAPHOODSL4230	■ 24TAPHOODSL4236	■ 24TAPHOODSL4242	V8, V17	IMTL	24TAPHOOD42MT
■ 24TAPHOODSL4824	■ 24TAPHOODSL4830	■ 24TAPHOODSL4836	■ 24TAPHOODSL4842	V9, V11	IMTL	24TAPHOOD48MT

\*Applies to V and V\_GS codes (stainless steel or powder coated Vent-A-Hoods®).

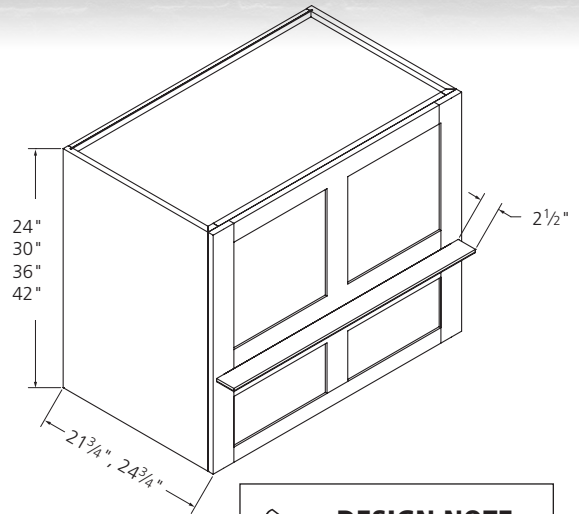


Hood/SKU Width	Top Width	Overall Width
30"	17"	31 1/2"
36"	23"	37 1/2"
42"	29"	43 1/2"
48"	35"	49 1/2"

Hood Height	21" Deep Hood – Top Depth	24" Deep Hood – Top Depth
24"	14 1/2"	17 1/2"
30"	14 1/8"	17 1/8"
36"	14 1/4"	17 1/4"
42"	14 3/8"	17 3/8"

**Box Hood with Straight Valance and 2 1/2" Ledge**

- Available in wood door styles only.
- Not available in slab door styles.
- Box hoods incorporate a deluxe panel in upper and lower section of hood.
- Deluxe panels reflect door style specified on order; see deluxe panel information (DWP) in Section 1000 for styling details.
- Includes 3/4" thick end panels; matching finished ends available.
- Includes decorative ledge, see following page for detail.
- A portion of the inside of the hood will be finished.
- Width and depth modifications not available.
- Height modification available; minimum 21", maximum 42".
- Hood fronts are removable for ease of use in installation and maintenance of venting equipment.
- Metal trim kits available; see illustration on next page. Brushed stainless steel cut to fit exposed edges under wood hood; available factory installed or as kit for field installation, see SKUs in chart. EXAMPLE: 21RHDXB3624, IMTS specifies a 21 3/4" deep, 24" high Box Hood and factory installed metal trim kit. Specify 21RHDXB36MT for field install metal trim kit.
- Vent-A-Hood® blower units are separate SKUs and can be referenced at the end of Section 300. Corresponding blower size information is listed by SKUs in chart.



**DESIGN NOTE**

Did you remember to specify Ledge Detail Options? See options on the following page.

**21 3/4" Deep**

24" High	30" High	36" High	42" High	Deluxe Panels	Vent-A-Hood® Blower*	METAL TRIM KIT	
						Factory Install	Field Install
■ 21RHDXB3024	■ 21RHDXB3030	■ 21RHDXB3036	■ 21RHDXB3042	2	V1	IMTS	21RHDXB30MT
■ 21RHDXB3624	■ 21RHDXB3630	■ 21RHDXB3636	■ 21RHDXB3642	2	V2	IMTS	21RHDXB36MT
■ 21RHDXB4224	■ 21RHDXB4230	■ 21RHDXB4236	■ 21RHDXB4242	2	V3	IMTL	21RHDXB42MT
■ 21RHDXB4824	■ 21RHDXB4830	■ 21RHDXB4836	■ 21RHDXB4842	3	V16	IMTL	21RHDXB48MT

**24 3/4" Deep**

24" High	30" High	36" High	42" High	Deluxe Panels	Vent-A-Hood® Blower*	METAL TRIM KIT	
						Factory Install	Field Install
■ 24RHDXB3024	■ 24RHDXB3030	■ 24RHDXB3036	■ 24RHDXB3042	2	V4, V6	IMTS	24RHDXB30MT
■ 24RHDXB3624	■ 24RHDXB3630	■ 24RHDXB3636	■ 24RHDXB3642	2	V5, V7	IMTS	24RHDXB36MT
■ 24RHDXB4224	■ 24RHDXB4230	■ 24RHDXB4236	■ 24RHDXB4242	2	V8, V17	IMTL	24RHDXB42MT
■ 24RHDXB4824	■ 24RHDXB4830	■ 24RHDXB4836	■ 24RHDXB4842	3	V9, V11	IMTL	24RHDXB48MT
■ 24RHDXB5424	■ 24RHDXB5430	■ 24RHDXB5436	■ 24RHDXB5442	3	V10, V12, V13	IMTL	24RHDXB54MT

\*Applies to V and V\_GS codes (stainless steel or powder coated Vent-A-Hoods®).

WALL CABINETS 300

### Box Hood with Straight Valance and 2 1/2" Ledge

• See previous page for details.

#### Ledge Detail Options

Select and add profile and crown molding choices to box hood; see codes below.

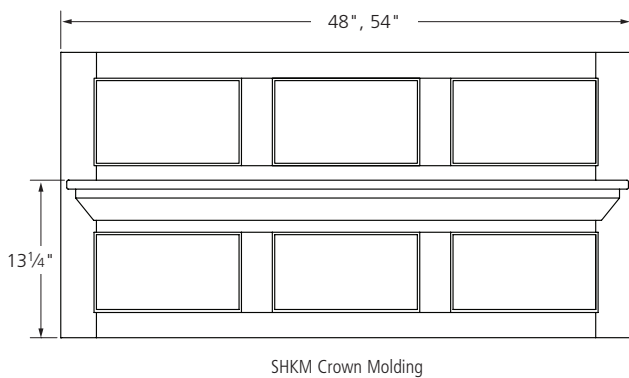
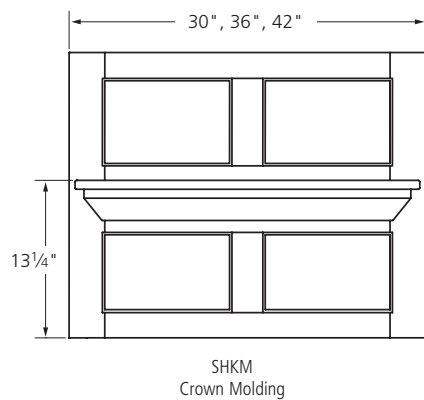
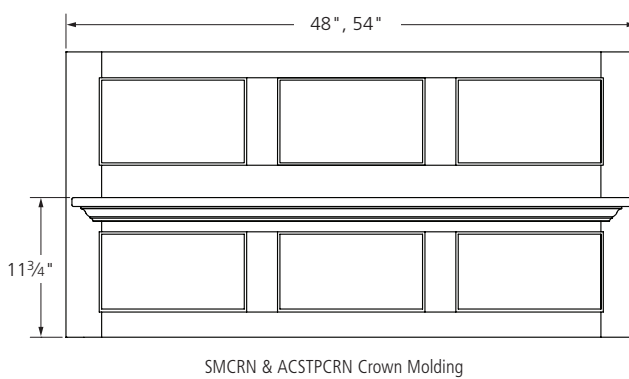
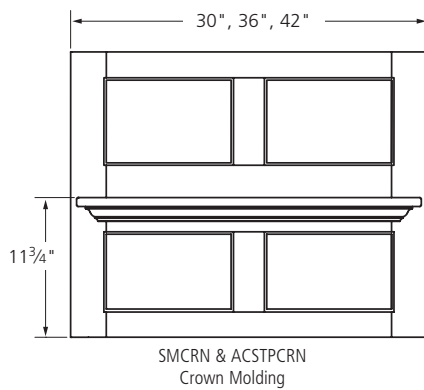
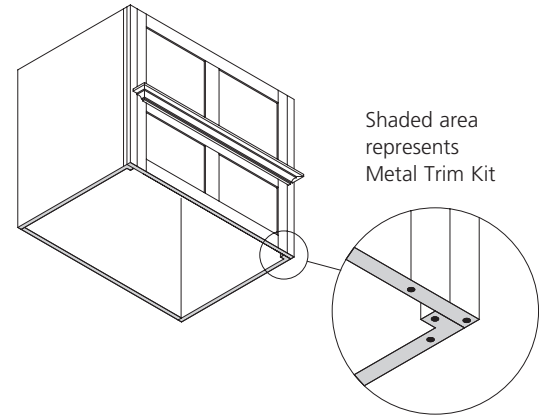
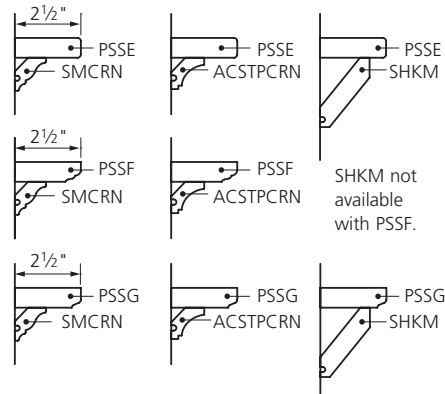
#### Profile Molding Selection

- PSSE
- PSSF
- PSSG

#### Crown Molding Selection

- SMCRN  
Small Crown
  - ACSTPCRN  
Arts & Crafts Small Stepped Crown
  - SHKM\*  
Shaker Crown
- \*Not available with PSSF.

**Ledge Combinations** – Available ledge combinations shown below.



300 WALL CABINETS

## Vent-A-Hood® Blower/Liners – General Information

All Vent-A-Hood blower units are for external venting only and require non-flexible ductwork, not included with unit. All units are uniquely constructed with the Magic Lung™ ventilation system.

### Vent-A-Hood's Magic Lung™ Technology

A patented system with the following features:

**Quiet.** Turn on a Vent-A-Hood and you'll hear only a whisper of air movement because the Magic Lung system provides the quietest ventilation available. Vent-A-Hoods feature SensaSource (see below). With SensaSource, when full blower power is not needed, you can lower the blower speed for even quieter operation.

**Efficient.** The powerful Magic Lung blower traps all cooking contaminants, liquefies grease vapor and removes heat-polluted air. Because the Magic Lung blower combines sufficient air pressure and constant speed with centrifugal filtration – and because it doesn't pull air through a filter – it is the most efficient kitchen ventilation available today.

**Easy cleaning.** The Magic Lung housing snaps apart for easy cleaning in the dishwasher or with warm soapy water. Moreover, the Magic Lung is the only ventilation system that collects grease in an easily cleaned housing rather than in hard to reach areas behind a mesh or baffle filter.

**Fire safe.** The Magic Lung is the only residential ventilation system that prevents fire from spreading to the rest of the home. Constant speed creates centrifugal pressure that prevents fire from entering ductwork. SensaSource increases blower speed to its normal level as needed to maintain this safety feature.

### SensaSource

An integrated motor and heat sensor that perfectly balances extra-quiet operation with full power performance and safety. During light cooking, the motor operates at low speed. When the temperature inside the Vent-A-Hood rises to an unacceptable level – or a range fire occurs – the heat sensor switches the motor to high speed. The motor returns to quiet operation when the temperature is safely lowered.



## DESIGN NOTE

The purpose of any kitchen ventilation system is to completely remove cooking contaminants of heat, steam, grease, smoke, odors and hazardous gases before they have a chance to mix with air in the rest of the home. Please follow all specifications within this section during planning stage, prior to ordering. The BTU output of cooking appliance may require a larger blower than anticipated, resulting in an adjustment to size of wood hood and adjacent cabinets.

Additionally, cooking appliance information directly relates to placement of hood/liner. Please verify all information in conjunction with local codes.

### Begin planning by first identifying the following:

What type of cooking equipment is involved?

- A standard gas appliance.
- A standard electric appliance.
- A professional-style gas appliance.

### The second step is to arrive at physical specifications relating to performance.

#### Width

- A liner should never be narrower than appliance it is venting.
- Liners should overlap standard appliances by 3-6" on each side.

#### Depth

- Liners should be deep enough to fully cover all burners.
- Hoods with liners should be 24" deep for standard appliances and most professional-style appliances. A 27" depth is required for some professional-style appliances.

#### Proximity

- Hood liners are required to be mounted at specified distance above cooking surface. Refer to your appliance specifications and hood liner specifications on following pages for proper placement.

#### Make-up Air

- Air is drawn from the home in many ways, including fireplaces, bath fans, ceiling fans, kitchen ventilation etc., creating potential for air pressure inside the house to become significantly less than outside the house (negative pressure). These two pressure levels will attempt to equalize, with air infiltrating into the home via the easiest pathway possible. In today's tighter homes, pressure may equalize by backdrafting water heater flues and fireplace chimneys.
- Backdrafting is a potentially dangerous situation that can be avoided by replacing air, removed from the home, via a safe pathway from outside (make-up air). A liner may perform poorly if it is starved of air to exhaust due to inadequate make-up air. This prevents cooking contaminants from being completely exhausted to outside. Present your appliance and ventilation choice to a qualified HVAC professional who can determine how much, if any, make-up air is needed.

#### Blower Configuration

- Recommendations for selecting your blower are shown in table on following page.

**Vent-A-Hood® Blower/Liner Units – Blower Configurations**

Vent-A-Hood® Blower†	Cooking Equipment Type	Usages L=Light M=Medium H=Heavy*	Multi-Burner Cooktop Rating	BBQ, Wok, or Griddle	Vent-A-Hood® Magic Lung® Blower(s)	Equivalent CFM††	Sones at High Speed
WALL MOUNT V1 - V5, V17	Standard Gas Standard Electric	L L/M	20,000 - 30,000 BTU 12,000 Watts	20,000 BTU 12,000 Watts	300 CFM (B100 single blower)	450 CFM	5.4
WALL MOUNT V6 - V10, V16	Standard Gas Standard Electric 30" Pro-Style 36" Pro-Style	M/H H L/M L	40,000 - 60,000 BTU 24,000 Watts	40,000 BTU 24,000 Watts	600 CFM (B200 dual blower)	900 CFM	6.5
WALL MOUNT V11 - V12	36" Pro-Style 48" Pro-Style	M/H L/M	60,000 - 90,000 BTU 36,000 Watts	60,000 BTU 36,000 Watts	900 CFM (B100 single blower and B200 dual blower)	1350 CFM	6.3
WALL MOUNT V13 - V15	48" Pro-Style 60" Pro-Style	H All	80,000 - 120,000 BTU 48,000 Watts	80,000 BTU 48,000 Watts	1200 CFM (Two B200 dual blowers)	1800 CFM	6.6

\*Heavy usage on a standard appliance is defined as 3 to 4 burners frequently in use, canning, wok cooking, frying, grill/griddle in cooktop.

\*Heavy usage on a professional appliance is defined by the application itself and the customer's cooking practices. To help with decisions about blower capacity, a good rule of thumb is that a single, 300 CFM Magic Lung® blower will handle up to 20,000 BTU.

†Applies to V and V\_GS codes (stainless steel or powder coated Vent-A-Hoods®).

†† Because the Magic Lung™ blower uses centrifugal filtration rather than conventional baffle or mesh filters, the Magic Lung™ blower can handle cooking equipment with higher cubic feet per minute (CFM) requirements and can deliver equivalent CFM much more efficiently than other filtration systems. When comparing Magic Lung™ with blower units made by other manufacturers, use the "Equivalent CFM".

**Electrical Specifications for Vent-A-Hood® Blower Units**

Vent-A-Hood® Blower†	Model	Volts	Amps	HZ	Minimum Round Duct Size
WALL MOUNT V1 - V5, V17	B100 Single	115	2.5	60	6" (or equivalent)
WALL MOUNT V6 - V10, V16	B200 Dual	115	4	60	8" (or equivalent)
WALL MOUNT V11, V12	B100 & B200	115	6	60	10" (or equivalent)
WALL MOUNT V13 - V15	B200 (Two)	115	7.5	60	12" (or equivalent)

†Applies to V and V\_GS codes (stainless steel or powder coated Vent-A-Hoods®).

300 WALL CABINETS

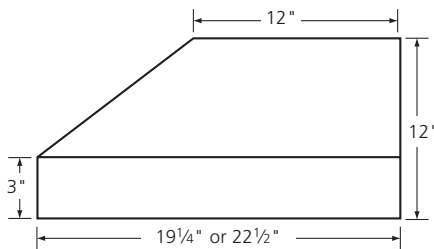
**Vent-A-Hood® Blower/Liner Units**

- See pages 300.24-25 for general information, blower configuration and electrical specifications.
- See page 300.28 for optional Vent-A-Hood® accessories.
- Includes LED lights with high-low settings.
- Liners are constructed of stainless steel or are powder coated (Gunsmoke Gray); choose appropriate SKU below.

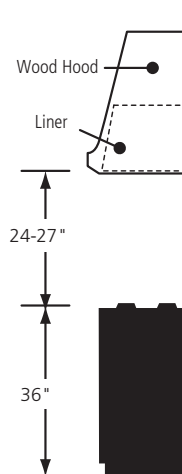
Stainless Steel		Powder Coated		Bottom Width	Top Width	Bottom Depth	CFM	Equivalent CFM'	# of LED Lights
Vent-A-Hood® Blower/Liner Code	SKU	Vent-A-Hood® Blower/Liner Code	SKU						
V1	■ VAH3021-300SS	V1GS	■ VAH3021-300GS	28 <sup>3</sup> / <sub>8</sub> "	22 <sup>3</sup> / <sub>8</sub> "	19 <sup>1</sup> / <sub>4</sub> "	300	450	2
V2	■ VAH3621-300SS	V2GS	■ VAH3621-300GS	34 <sup>3</sup> / <sub>8</sub> "	28 <sup>3</sup> / <sub>8</sub> "	19 <sup>1</sup> / <sub>4</sub> "	300	450	2
V3	■ VAH4221-300SS	V3GS	■ VAH4221-300GS	40 <sup>3</sup> / <sub>8</sub> "	34 <sup>3</sup> / <sub>8</sub> "	19 <sup>1</sup> / <sub>4</sub> "	300	450	2
V4	■ VAH3024-300SS	V4GS	■ VAH3024-300GS	28 <sup>3</sup> / <sub>8</sub> "	22 <sup>3</sup> / <sub>8</sub> "	22 <sup>1</sup> / <sub>2</sub> "	300	450	2
V5	■ VAH3624-300SS	V5GS	■ VAH3624-300GS	34 <sup>3</sup> / <sub>8</sub> "	28 <sup>3</sup> / <sub>8</sub> "	22 <sup>1</sup> / <sub>2</sub> "	300	450	2
V6	■ VAH3024-600SS	V6GS	■ VAH3024-600GS	28 <sup>3</sup> / <sub>8</sub> "	22 <sup>3</sup> / <sub>8</sub> "	22 <sup>1</sup> / <sub>2</sub> "	600	900	2
V7	■ VAH3624-600SS	V7GS	■ VAH3624-600GS	34 <sup>3</sup> / <sub>8</sub> "	28 <sup>3</sup> / <sub>8</sub> "	22 <sup>1</sup> / <sub>2</sub> "	600	900	2
V8	■ VAH4224-600SS	V8GS	■ VAH4224-600GS	40 <sup>3</sup> / <sub>8</sub> "	34 <sup>3</sup> / <sub>8</sub> "	22 <sup>1</sup> / <sub>2</sub> "	600	900	2
V9	■ VAH4824-600SS	V9GS	■ VAH4824-600GS	46 <sup>3</sup> / <sub>8</sub> "	40 <sup>3</sup> / <sub>8</sub> "	22 <sup>1</sup> / <sub>2</sub> "	600	900	3
V10	■ VAH5424-600SS	V10GS	■ VAH5424-600GS	52 <sup>3</sup> / <sub>8</sub> "	46 <sup>3</sup> / <sub>8</sub> "	22 <sup>1</sup> / <sub>2</sub> "	600	900	3
V11	■ VAH4824-900SS	V11GS	■ VAH4824-900GS	46 <sup>3</sup> / <sub>8</sub> "	40 <sup>3</sup> / <sub>8</sub> "	22 <sup>1</sup> / <sub>2</sub> "	900	1350	3
V12	■ VAH5424-900SS	V12GS	■ VAH5424-900GS	52 <sup>3</sup> / <sub>8</sub> "	46 <sup>3</sup> / <sub>8</sub> "	22 <sup>1</sup> / <sub>2</sub> "	900	1350	3
V13	■ VAH5424-1200SS	V13GS	■ VAH5424-1200GS	52 <sup>3</sup> / <sub>8</sub> "	46 <sup>3</sup> / <sub>8</sub> "	22 <sup>1</sup> / <sub>2</sub> "	1200	1800	3
V14	■ VAH6024-1200SS	V14GS	■ VAH6024-1200GS	58 <sup>3</sup> / <sub>8</sub> "	52 <sup>3</sup> / <sub>8</sub> "	22 <sup>1</sup> / <sub>2</sub> "	1200	1800	4
V15	■ VAH6624-1200SS	V15GS	■ VAH6624-1200GS	64 <sup>3</sup> / <sub>8</sub> "	58 <sup>3</sup> / <sub>8</sub> "	22 <sup>1</sup> / <sub>2</sub> "	1200	1800	4
V16	■ VAH4821-600SS	V16GS	■ VAH4821-600GS	46 <sup>3</sup> / <sub>8</sub> "	40 <sup>3</sup> / <sub>8</sub> "	19 <sup>1</sup> / <sub>4</sub> "	600	900	3
V17	■ VAH4224-300SS	V17GS	■ VAH4224-300GS	40 <sup>3</sup> / <sub>8</sub> "	34 <sup>3</sup> / <sub>8</sub> "	22 <sup>1</sup> / <sub>2</sub> "	300	450	2

†Because the Magic Lung™ blower uses centrifugal filtration rather than conventional baffle or mesh filters, the Magic Lung™ blower can handle cooking equipment with higher cubic feet per minute (CFM) requirements and can deliver equivalent CFM much more efficiently than other filtration systems. When comparing Magic Lung™ with blower units made by other manufacturers, use the "Equivalent CFM".

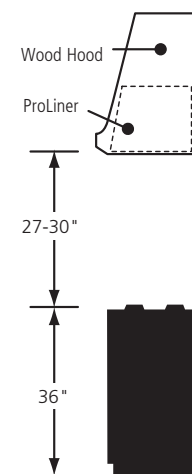
**Side View of Liner**



**Recommended Mounting Height for V1-V3, V16, V1GS-V3GS, V16GS**



**Recommended Mounting Height for V4-V15, V17, V4GS-V15GS, V17GS**



Exceeding recommended mounting height may compromise performance.

Liner/Blower units are intended to be installed flush to bottom of mantel or in the case of an arch mantel, flush to highest point of arch; can be installed slightly higher is desired.

WALL CABINETS 300

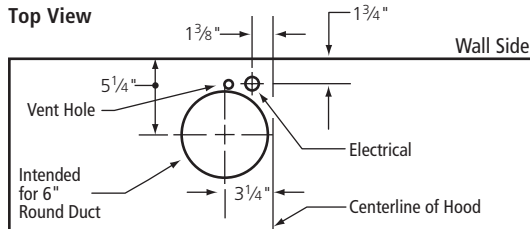
**Vent-A-Hood® Blower/Liner Units**

• See previous page for SKUs and details.

**300 CFM Blower (B100 single blower)**

• 300 CFM, fire safe, single blower system, includes two speed 'quiet-mode' motor with centrifugal 'squirrel cage'

**Top View**

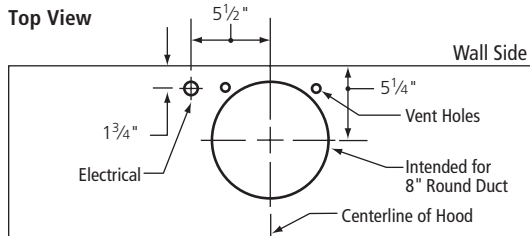


Recommended distance from top of cooking surface to bottom of liner is 27" maximum for V1-V3, V1GS-V3GS; 30" maximum for V4, V5, V17, V4GS, V5GS, V17GS.

**600 CFM Blower (B200 dual blower)**

• 300/600 CFM, fire safe, dual blower system, includes two motors with two 'squirrel cage' units. One motor is a two speed 'quiet-mode' motor.

**Top View**

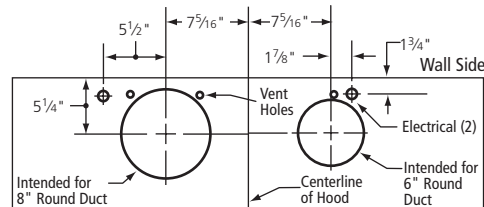


Recommended distance from top of cooking surface to bottom of liner is 30" maximum for V6-V10, V6GS-V10GS; 27" maximum for V16, V16GS.

**900 CFM Blower (B100 single blower and B200 dual blower)**

• Includes one single 300 CFM and one dual 300/600 CFM, fire-safe blowers with squirrel cages. Two motors are two speed 'quiet-mode' motors.

**Top View**

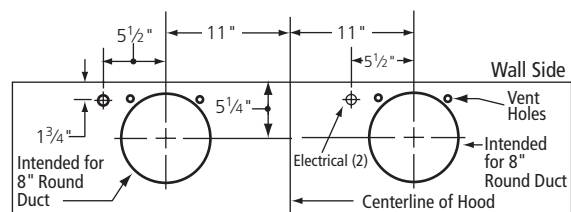


Recommended distance from top of cooking surface to bottom of liner is 30" maximum for V11, V12, V11GS, V12GS.

**1200 CFM Blower (Two B200 dual blowers)**

• Includes two dual 300/600 CFM, fire-safe blowers with squirrel cages. Two motors are two speed 'quiet-mode' motors.

**Top View**



Recommended distance from top of cooking surface to bottom of liner is 30" maximum for V13-V15, V13GS-V15GS.

300 WALL CABINETS



**Vent-A-Hood® Accessories**

- Use of optional venting materials are strongly recommended.
- Vent-A-Hood® manufactured items provide optimal performance, where other types may not.
- Reference "V" codes listed below with corresponding Vent-A-Hood® Liner/Blower information on page 300.26.
- V codes listed below apply to V and V\_GS codes (stainless steel or powder coated Vent-A-Hoods®).

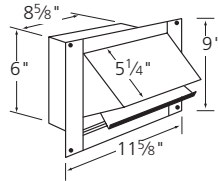
**Wall Louvers**

- Wall cap with damper.
- Use when Vent-A-Hood® Liner/Blower requires venting through wall.
- Wall louvers are Gunsmoke Gray (medium dark gray).

**6" x 8 1/2" Wall Louver**

■ RHWLBE6

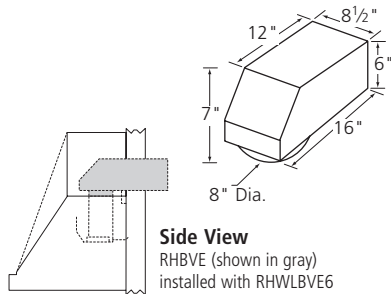
- For use with back venting elbow (RHVBE).
- For use with dual blower/600 CFM (V6 - V10).
- For 6" x 8 1/2" rectangular ductwork.



**Back Venting Elbow**

■ RHBVE

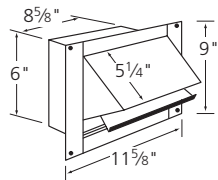
- For use with RHWLBE6 wall louver (shown above).
- RHBVE may be used in place of 8" round 90 degree elbow.
- Requires 7" of space in wood hood above liner.



**6" Wall Louver**

■ RHWL6

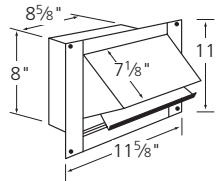
- For use with single blower/300 CFM (V1 - V5, V17).
- For 6" diameter ductwork.



**8" Wall Louver**

■ RHWL8

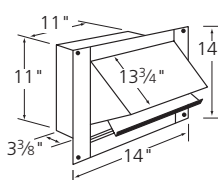
- For use with dual blower/600 CFM (V6 - V10, V16).
- For 8" diameter ductwork.



**10" Wall Louver**

■ RHWL10

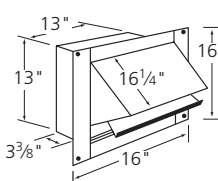
- For use with one dual and one single blower/900 CFM (V11, V12).
- For 10" diameter ductwork.



**12" Wall Louver**

■ RHWL12

- For use with two dual blowers/1200 CFM (V13 - V15).
- For 12" diameter ductwork.



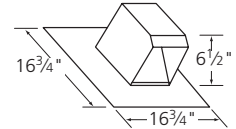
**Roof Jacks**

- Roof jack with damper.
- Galvanized, unpainted.
- Use when Vent-A-Hood® Liner/Blower requires venting through roof.

**6" Roof Jack**

■ RHRJ6

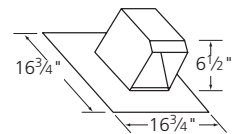
- For use with single blower/300 CFM (V1 - V5, V17).
- For 6" diameter ductwork



**8" Roof Jack**

■ RHRJ8

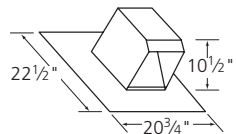
- For use with dual blower/600 CFM (V6 - V10, V16).
- For 8" diameter ductwork.



**10" Roof Jack**

■ RHRJ10

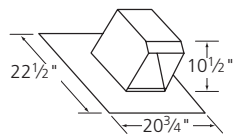
- For use with one dual and one single blower/900 CFM (V11, V12).
- For 10" diameter ductwork.



**12" Roof Jack**

■ RHRJ12

- For use with two dual blowers/1200 CFM (V13 - V15).
- For 12" diameter ductwork.

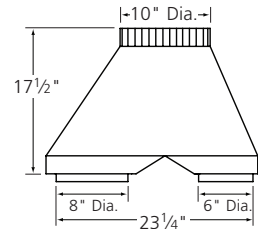


**Transitions**

**Combination Transition – 6" and 8" to 10"**

■ RHTRANS10

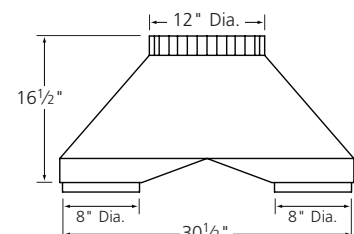
- Fits standard blower outlet location on liners with one dual and one single blower/900 CFM (V11, V12).



**Combination Transition – 8" and 8" to 12"**

■ RHTRANS12

- Fits standard blower outlet location on liners with two dual blowers/1200 CFM (V13 - V15).



WALL CABINETS 300